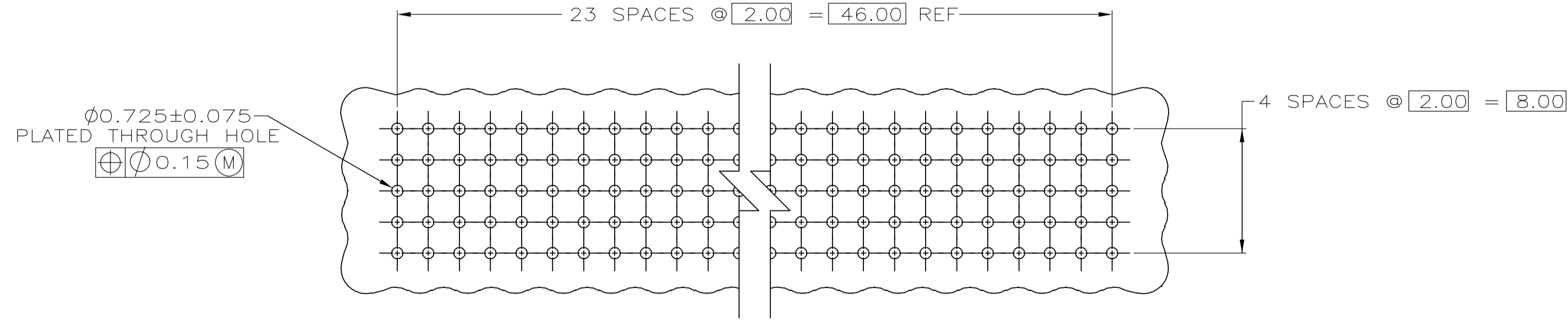
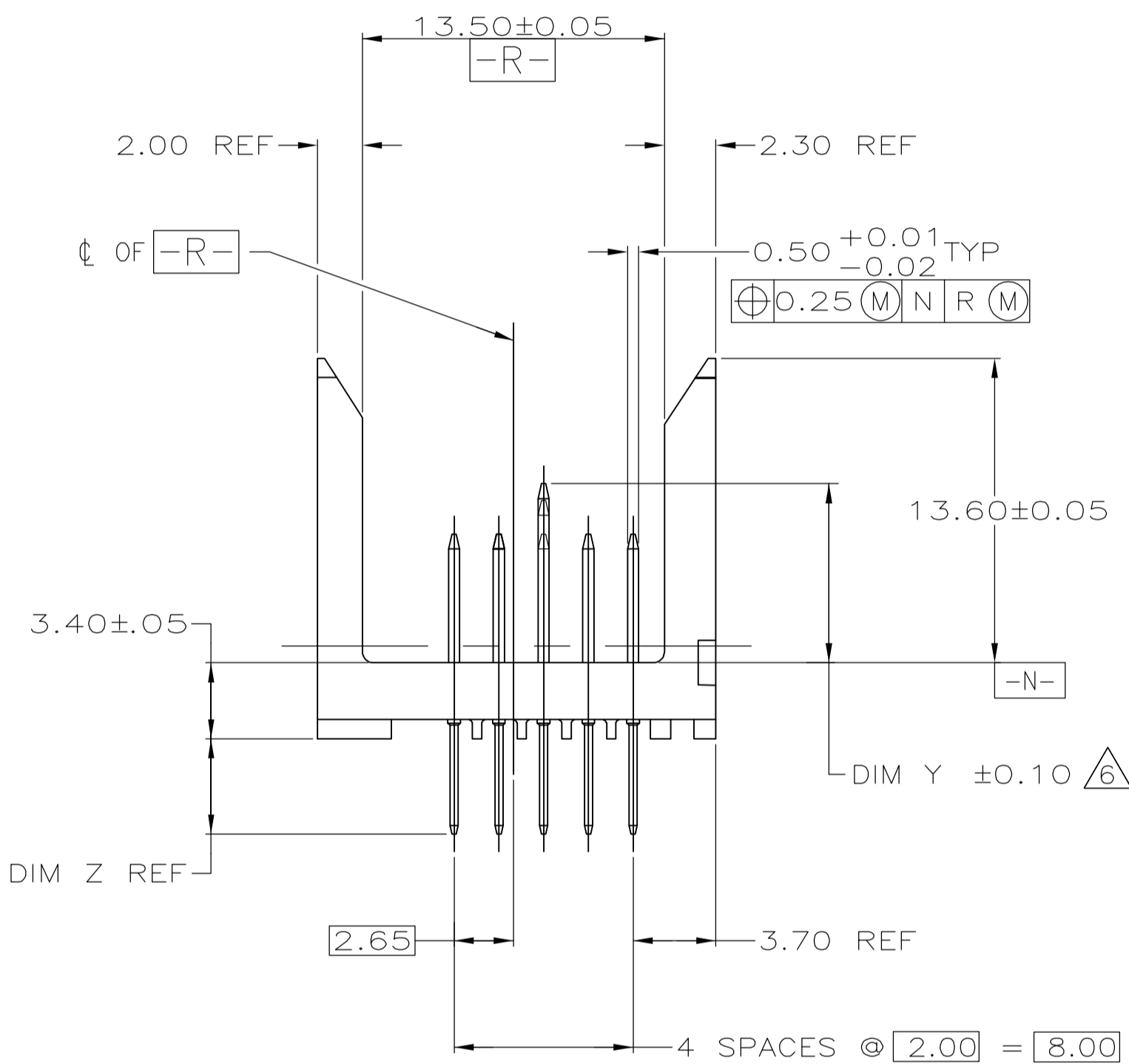
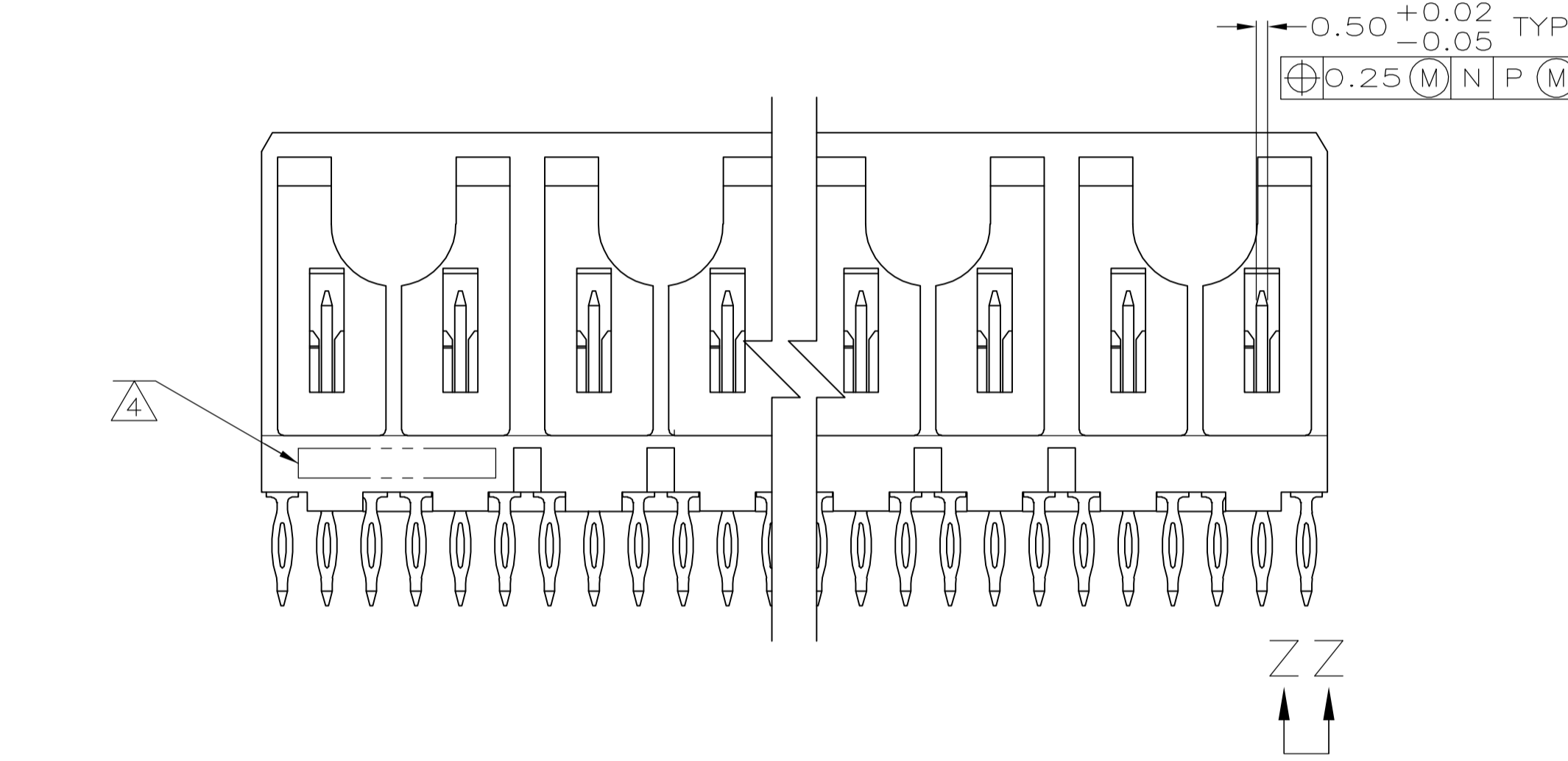
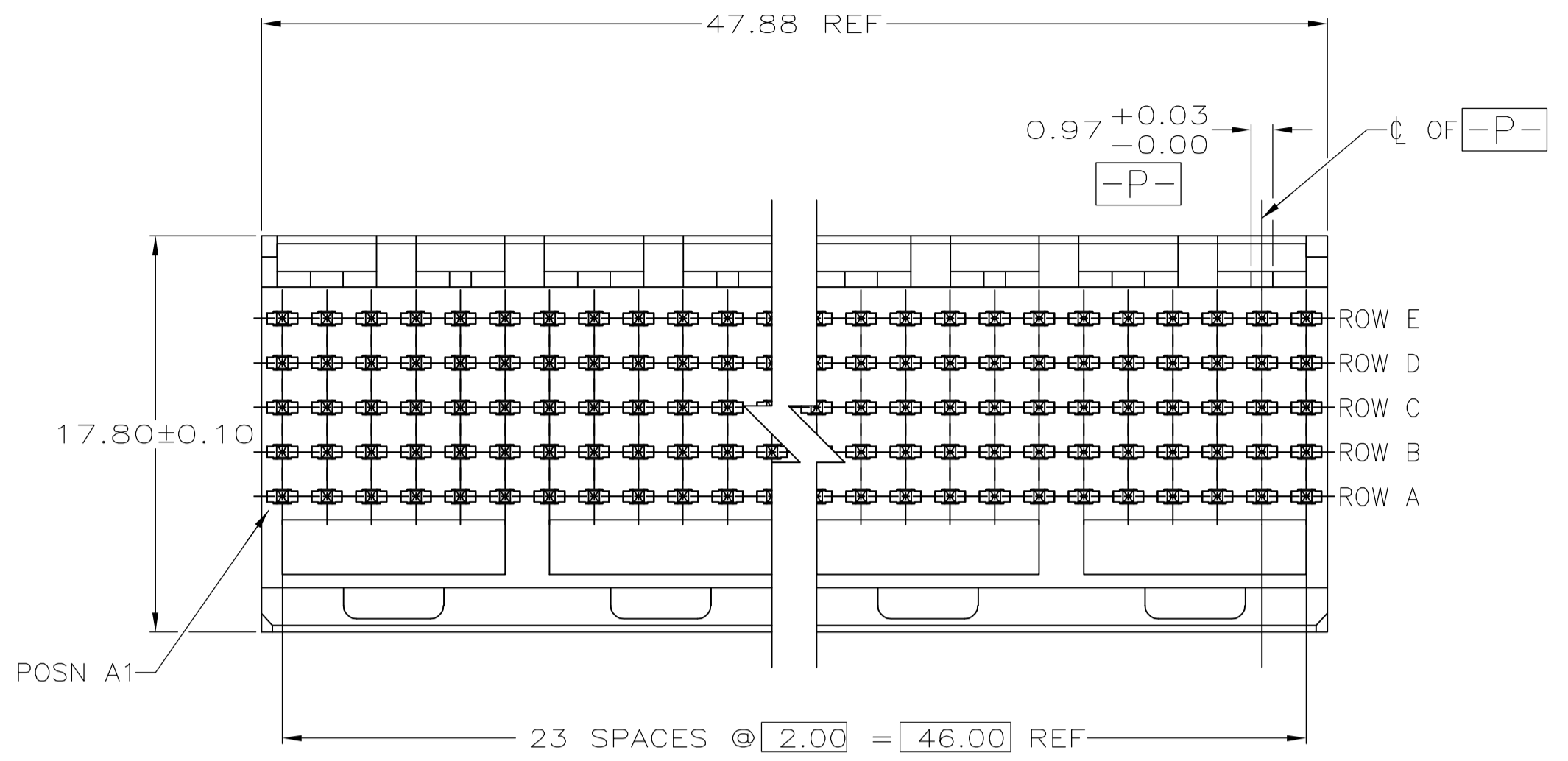
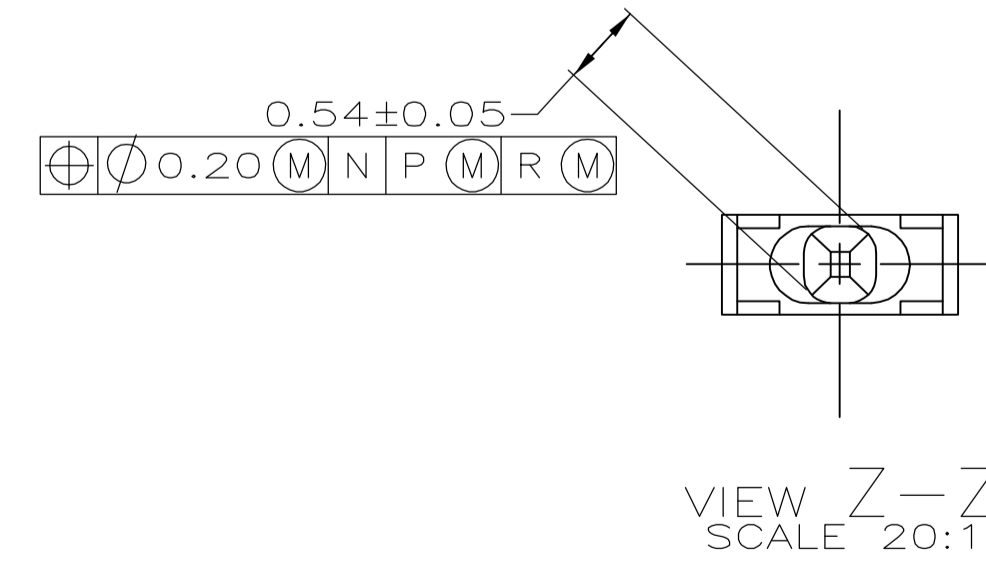


LOC		DIST		REVISIONS			
P	LTR	DESCRIPTION	DATE	DN	APVD		
AJ1		REVISED PER ECO-06-017091	10JUL06	JDP	RW		



RECOMMENDED CIRCUIT PATTERN (COMPONENT SIDE)



VIEW Z-Z SCALE 20:1

- 1 HOUSING MATERIAL: LIQUID CRYSTAL POLYMER. COLOR: NATURAL.
- 2 CONTACT MATERIAL: PHOSPHOR BRONZE.
- 3 CONTACT FINISH:
 UNDERPLATE (ENTIRE CONTACT):
 0.00127 MIN NICKEL.
 ON MATING SURFACES:
 CONFORMS TO ALL TESTING SPECIFIED FOR TELCORDIA UNCONTROLLED ENVIRONMENT.
 ON LEADS
 0.0006 MIN TIN-LEAD OVER UNDERPLATE.
 LUBRICATION (ENTIRE CONTACT):
 SURFACE CONDITIONER PER AMP SPEC 112-1002 AFTER PLATING.
- 4 PART MARKING PER AMP INCORPORATED SPECIFICATION 115-9009, LOCATED APPROXIMATELY AS SHOWN.
- 5. SEE SHEET 2 FOR SEQUENCING CHARTS.
- 6 DIMENSION APPLIES WHEN SEATED ON PRINTED CIRCUIT BOARD.
- 7 SEE RESTRICTED CUSTOMER DRAWING 1-223083-9.
- 8 SEE RESTRICTED CUSTOMER DRAWING 2-223083-0.

						4-223083-9
						4-223083-8
						3-223083-9
						3-223083-7
						3-223083-6
						3-223083-5
						3-223083-3
						3-223083-2
						3-223083-1
						3-223083-0
						2-223083-9
						2-223083-7
						2-223083-6
						2-223083-5
						2-223083-3
						2-223083-0
						1-223083-9
						1-223083-8
						1-223083-7
						1-223083-6
						1-223083-5
						1-223083-4
						1-223083-3
						1-223083-2
						1-223083-1
						1-223083-0
						223083-9
						223083-8
						223083-7
						223083-6
						223083-5
						223083-4
						223083-3
						223083-2
						223083-1
						FINISH
						PART NUMBER

SUPERSEDED BY 1-223083-8
 SUPERSEDED BY 1-223083-7
 SUPERSEDED BY 1-223083-6

DIMENSIONS:		TOLERANCES UNLESS OTHERWISE SPECIFIED:		DIN	
mm		0 PLC	± -	T. SHUEY	12-7-98
		1 PLC	± -	C. SCHMID	12-7-98
		2 PLC	± 0.13		
		3 PLC	± -		
		4 PLC	± -		
		ANGLES	± -		
MATERIAL		FINISH		APPROVALS	
1 2 3		1 2 3		APVD: C. SCHMID 12-7-98	
				NAME: T. SHUEY	
				Tyco Electronics Corporation Harrisburg, PA 17105-3608	
				PRODUCT SPEC	
				APPLICATION SPEC	
				SIZE: A1	
				CAGE CODE: 00779	
				DRAWING NO: 223083	
				RESTRICTED TO:	
				CUSTOMER DRAWING	
				SCALE: 4:1	
				SHEET: 1 OF 3	
				REV: AJ1	

